



Easy Conversion Chart: BE1-50BF to BE1-11f

This simple chart is designed to help you choose the appropriate BE1-11 style configuration with the same minimum coverage as your BE1-50BF. Just match up the color-coded options on the left (BE1-50BF) with those on the right (BE1-11f). Options colored black require no selection. For reference, see the product spec style charts on Page 2. For assistance, contact Technical Support at 618-654-2341.

Enter your BE1-50BF style configuration below to generate new BE1-11 style.

From **BE1-50BF Style Configuration**

To **BE1-11 Style Configuration**

BE1-50BF		BE1-50BF Style Configuration								BE1-11 Style Configuration															
		Sensing Input Type	Sensing Input Range	Output	Timing	Power Supply	Target	Option 1	Option 2	Option 3	Option 4	Application	Phase Current	Ground Current	Power Supply	RS-485 Port Protocol	Ethernet Protocol	Case	Inputs/Outputs	Option 1	Network Connections	Option 3	Option 2	Firmware	
BE1-50BF		E ¹										F													
		F ¹	1									F	1	B											
			2										5	B											
			3		F ²								5	A											
			4			E1 ³							1	A											
							J								1										
							K								1										
							L								3										
							Z								2										
								A ⁴																	
								B ⁴																	
									4 ⁵																
									5 ⁵																
										N ²															
										S ²															
										A ²															
										B ²															
											0 ¹														
											1 ¹														
											3 ¹														
											4 ¹														
												F ⁶													
											P ⁶														
																					J ⁶				
																					J ⁶				

To
↓

Enter your current BE1-50BF configuration below

BE1-50BF			F	E1					
----------	--	--	---	----	--	--	--	--	--

BE1-11					N	0		2	N	0	E	0	00
--------	--	--	--	--	---	---	--	---	---	---	---	---	----

¹ Sensing Inputs are configured in BESTCOMSPlus®. No selection necessary.

² Outputs are configured in BESTlogic™ Plus. No selection necessary.

³ Timing is configured in BESTCOMSPlus and BESTlogicPlus. No selection necessary.

⁴ All BE1-11 targets are internally operated. No selection necessary.

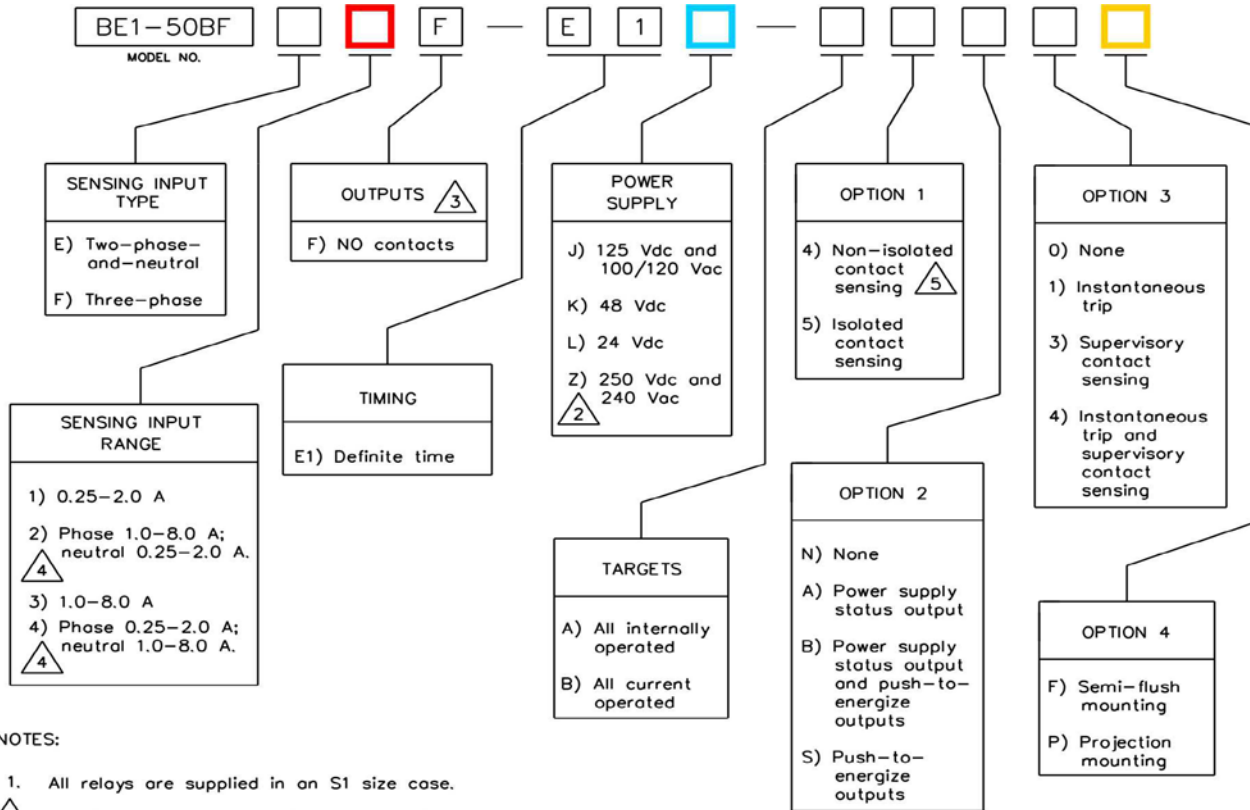
⁵ BE1-11 has Isolated Contact Sensing only. No selection necessary.

⁶ BE1-11 standard in a semi-flush S1 sized package. Projection mount kit (9424226101) optional.

Some options for BE1-11f have been preselected. To ensure accuracy, please verify your style configuration using the BE1-11 style chart on page 2.

Sample Style Configuration Conversion

	BE1-50BF	BE1-11f	
Three Phase Sensing	F	5	5 Amp Phase
1.0 to 8.0 Amp	3	A	5 Amp Ground
Output-NO	F	1	48/125 PS
Definite Time	E1	N	No 485 Port Protocol
48 Vdc PS	K	0	No Ethernet Protocol
Internally Operated Target	A	J	J Case
Isolated Contact Sensing	5	2	Standard I/O, N.C. Alarm
Power Supply Status Output	A	N	No Option 1
Supervisory Contact Sensing Input	3	0	Network-Copper Ethernet
Semi-Flush Mounting	F	E	No Option 3
		0	No Option 2
		00	Latest Firmware Release

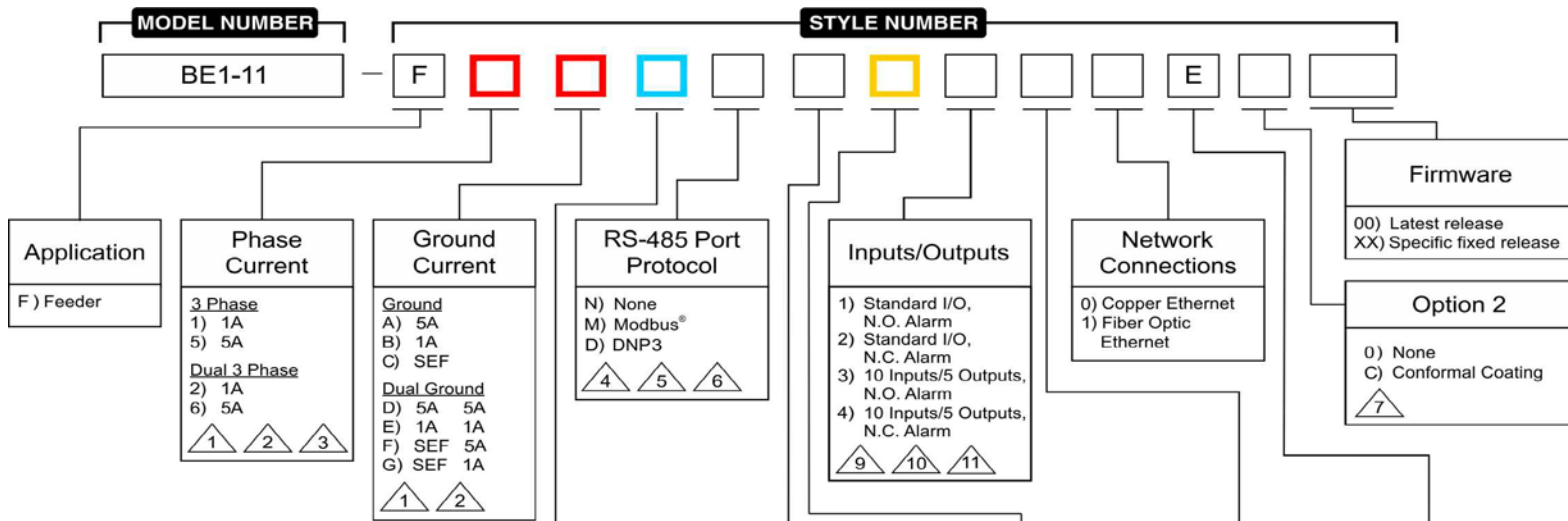


NOTES:

1. All relays are supplied in an S1 size case.
2. Requires one of the sensing modules listed below.

Contact Sensing Modules (Required when type Z power supply is specified)		
Module Ordering No.		
Option 3	Isolated Contact Sensing	Non-Isolated Contact Sensing
0 or 1	9 1702 06 105	9 1702 06 111
3 or 4	9 1702 06 104	9 1702 06 110

- 3. When option 2 is N or S, three output relays are provided. When option 2 is A or B, two output relays are provided.
- 4. Sensing input type must be E.
- 5. Requires DC Sensing Power.



Application
F) Feeder

Phase Current
3 Phase
1) 1A
5) 5A
Dual 3 Phase
2) 1A
6) 5A
1 2 3

Ground Current
Ground
A) 5A
B) 1A
C) SEF
Dual Ground
D) 5A 5A
E) 1A 1A
F) SEF 5A
G) SEF 1A
1 2

RS-485 Port Protocol
N) None
M) Modbus®
D) DNP3
4 5 6

Inputs/Outputs
1) Standard I/O, N.O. Alarm
2) Standard I/O, N.C. Alarm
3) 10 Inputs/5 Outputs, N.O. Alarm
4) 10 Inputs/5 Outputs, N.C. Alarm
9 10 11

Network Connections
0) Copper Ethernet
1) Fiber Optic Ethernet

Firmware
00) Latest release
XX) Specific fixed release

Option 2
0) None
C) Conformal Coating
7

Power Supply
1) 48/125 Vac/Vdc
2) 125/250 Vac/Vdc
3) 24 Vdc

Ethernet Protocol
0) No Ethernet
1) BESTnet™ Plus only
2) Modbus TCP with BESTnet Plus
3) DNP3 with BESTnet Plus
4) Modbus TCP and DNP3 with BESTnet Plus
5) IEC-61850 with BESTnet Plus
4 5 6
8

Case
H) H1 Rack Mount
J) Vertical Case
P) H1 Panel Mount
3 7

Option 1
N) None
D) Directional Power
A) Enhanced Feeder (21, 24, 32)

Option 3
E) None

- 1) If Dual Phase Current Input or Dual Ground Current input choice is made, then both current input types must be dual.
- 2) If Ground Current is A, D or F, Phase Current must be 5A.
- 3) If Phase Current is 2 or 6, Case must be J.
- 4) If Ethernet Protocol is 5, RS-485 Port Protocol must be N.
- 5) For communications with Remote RTD Module, RS-485 Protocol must be N or Ethernet Protocol must be 1, 2, 3, 4, or 5.
- 6) If RS-485 protocol is D, Ethernet protocol cannot be 3 or 4.
- 7) If Option 2 is C, Case must be J.
- 8) When a DNP3 over Ethernet protocol (3 or 4) is purchased, a BESTCOMSPlus® selection box permits using DNP3 over Ethernet or over RS-485. RS-485 selection must be N.
- 9) When Inputs/Outputs is 1 or 2, a J-style case has 7 inputs and 8 outputs; an H or P style case has 4 inputs and 5 outputs.
- 10) If Inputs/Outputs is 3 or 4, Case must be J.
- 11) If Inputs/Outputs is 1 or 3, the contact is open for the alarm condition. If Inputs/Outputs is 2 or 4, the contact is closed for the alarm condition.