



Easy Conversion Chart: BE3-32 To ES-32

This simple chart is designed to help you choose the appropriate ES style configuration with the same minimum coverage as your BE3. Just match up the color-coded option boxes on the left with those on the right. Option boxes colored black require no selection. For reference, see the product specification style charts on Page 2. For assistance, contact technical support at 618-654-2341.

Enter your BE3 style configuration below to generate new ES style configuration

	From	BE3 Style Configuration							To	ES Style Configuration											
		Model Number	Sensing Input Type	Nominal Input Type	Frequency	External Power	Output Type			Model Number	Sensing Input Type	Nominal Input Type	Timing	Frequency	External Power	Option 1	Option 2	Option 3			
BE3		32						➔	ES	32			B								
			1 ¹							1 ¹											
				3 ²						3 ²											
				A						A											
				B						C											
				C						D											
				D						F											
				S ³						S ³											
						1									1						
						2 ⁴									na ⁴						
						N ⁵							N ⁵								
							1 ⁶								0						
																N					
																	0				
		Enter your current BE3 configuration:								Enter your new ES configuration:											
	BE3	32			1	N	1		ES	32			B	1	N	0	N	0			

- 1 Single Phase nominal input voltage is line-to-neutral.
- 2 Three Phase, Three Wire nominal input voltage is line-to-line.
- 3 For other nominal voltages, contact Basler Electric.
- 4 ES Frequency is 50/60 Hz. 400 Hz units not available.
- 5 External Power is not required for ES. No selection necessary.
- 6 Output Type is predefined by function for ES. No selection necessary.
- 7 ES-32 Wiring Terminals: Terminals 1 and 3 are shifted left 1 position from BE3-25 locations. Terminals 2 and 8 have swapped locations from BE3-25 locations. Connection diagrams are shown on Page 3 and in Instruction Manual 9500100998.

Sample Style Configuration Conversion

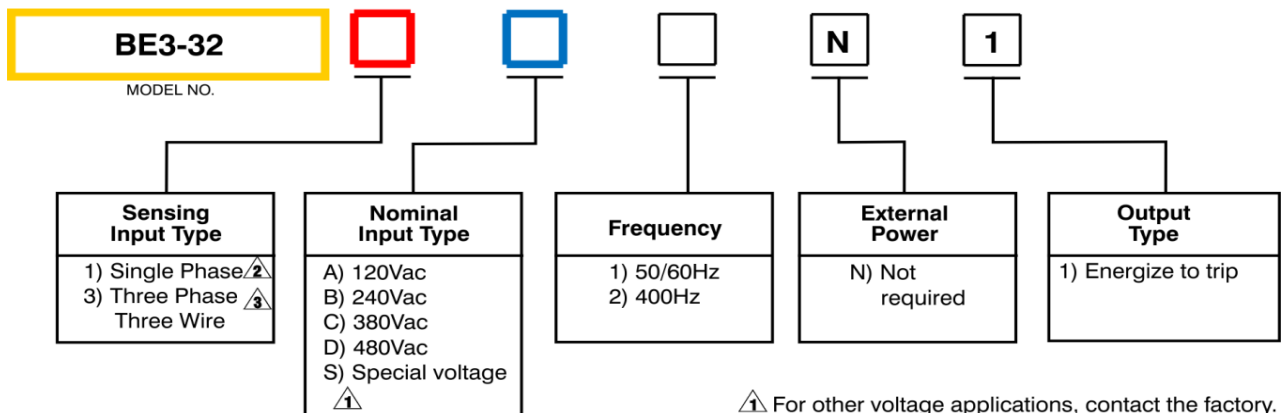
BE3-32

ES-32

Model Number, 32	32	→	32	Model Number, 32
Sensing Input Type, Single Phase	1	→	1	Sensing Input Type, Single Phase
Nominal Input Type, 120 Vac	A	→	A	Nominal Input Type, 120 Vac
Frequency, 50/60 Hz	1		B	Timing, Adjustable, 0 to 20 seconds
External Power, None	N		1	Frequency, 50/60 Hz
Output Type, Energize To Trip	1		N	External Power, Not required
			0	Option 1, None
			N	Option 2, None
			0	Option 3, None

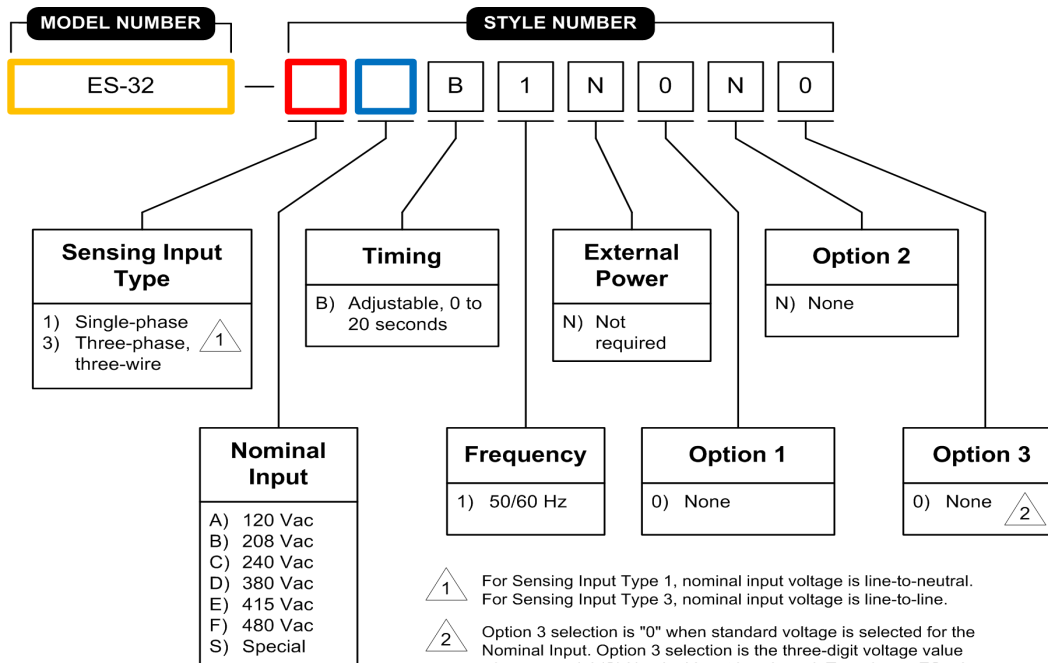
Some options for the ES have been preselected in the above guide. To insure accuracy, please verify your style configuration using the ES style chart on page 2, referencing Instruction Manual 9500100998 or contacting Technical Support.

BE3-32-1, BE3-32-3 Style Number Identification Chart



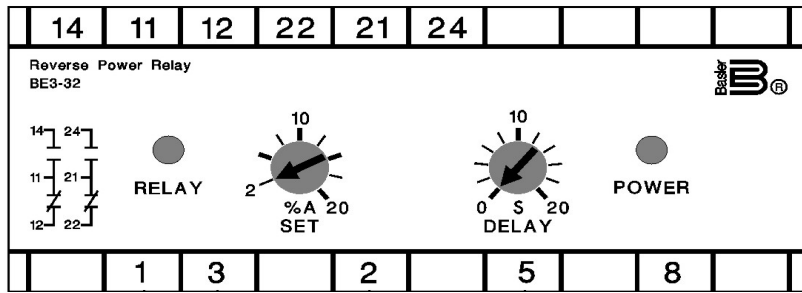
⚠ For other voltage applications, contact the factory.
 ⚠ Nominal input voltage is line-to-neutral.
 ⚠ Nominal input voltage is line-to-line.

ES-32 Style Number Identification Chart



⚠ For Sensing Input Type 1, nominal input voltage is line-to-neutral. For Sensing Input Type 3, nominal input voltage is line-to-line.
 ⚠ Option 3 selection is "0" when standard voltage is selected for the Nominal Input. Option 3 selection is the three-digit voltage value when a special (S) Nominal Input is selected. To order an ES relay with special (S) Nominal Input voltage, contact Basler Electric.

BE3-32 Connection Diagram



ES-32 Connection Diagram

