



Easy Conversion Chart: BE3-74SH, 74SL, 74SD, 76SH To ES-74S

This simple chart is designed to help you choose the appropriate ES style configuration with the same minimum coverage as your BE3. Just match up the color-coded option boxes on the left with those on the right. Option boxes colored black require no selection. For reference, see the product specification style charts on Page 2. For assistance, contact technical support at 618-654-2341.

Enter your BE3 style configuration below to generate new ES style configuration

| | From | BE3 Style Configuration | | | | | | To | ES Style Configuration | | | | | | | |
|-----|--------------------|------------------------------|---|--------------------------|---|-----------------------|----|--------------------|--------------------------|---|--------------------------|---|-----------------------|-------------|---------------------|---|
| BE3 | Model Number | 74SH 74SL 74SD 76SH | | | | | ES | Model Number | 74S 74S 74S 74S | | | | | | | |
| | Sensing Input Type | | 7 | | | | | Sensing Input Type | | 7 | | | | | | |
| | Nominal Input Type | | | F G S ¹ | | | | Nominal Input Type | | | M N S ¹ | | | | | |
| | Frequency | | | | 5 | | | Frequency | | | | 0 | | | | |
| | External Power | | | | | A B C D E | | External Power | | | | | A C D F G | | | |
| | Output Type | | | | | | | 1 2 3 | Option 1 | | | | | 4 3 5 | | |
| | | | | | | | | | | | | | | | N A ² | |
| | | | | | | | | | | | | | | | | 0 |
| | | | | | | | | | | | | | | | | |
| | | | | | | | | | | | | | | | | |

Enter your current BE3 configuration:

| | | | | | | |
|-----|------|---|--|---|--|---|
| BE3 | 74SH | 7 | | 5 | | 1 |
|-----|------|---|--|---|--|---|

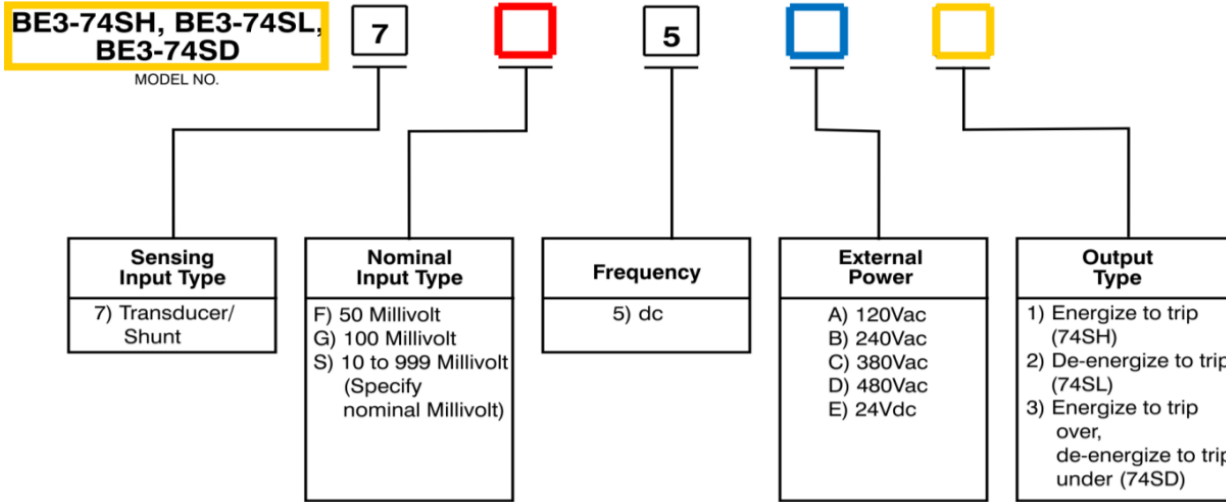
| | | | | | | | | |
|----|-----|---|--|---|---|---|---|---|
| ES | 74S | 7 | | B | 0 | 4 | N | 0 |
|----|-----|---|--|---|---|---|---|---|

- 1 For other nominal Millivolt, contact Basler Electric.
- 2 Option 2 selection A not available.
- 3 ES-74S Narrow Case Terminals: Input +, Input - and A1 are shifted left 1 position from BE3-74SL and BE3-74SH locations. See Instruction Manual 9500100994 for connection diagrams.
- 4 ES-74S Wide Case Terminal: A1 is shifted left 1 position from BE3-74SD location. Connection diagrams are shown on Page 3 and in Instruction Manual 9500100994.

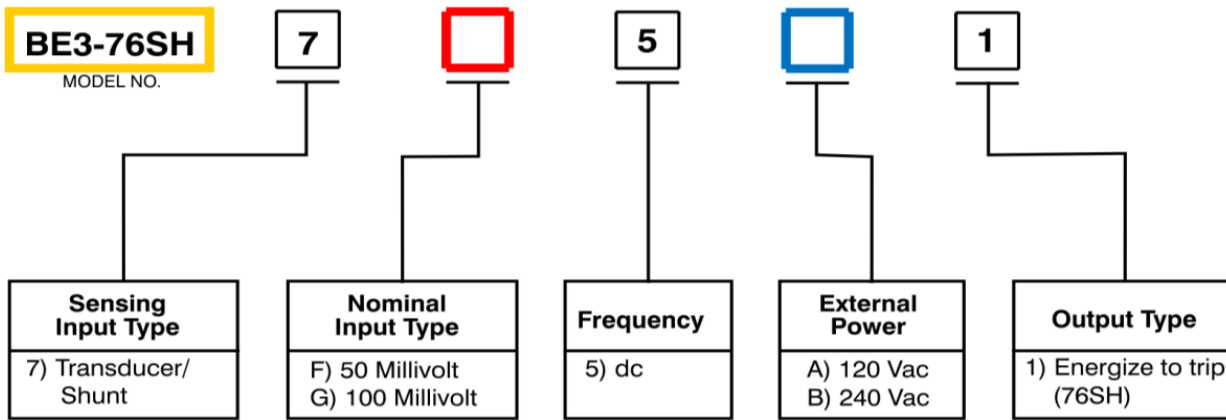
| <u>Sample Style Configuration Conversion</u> | | |
|--|----------------------------|-------------------------------------|
| | BE3-74SH, 74SL, 74SD, 76SH | ES-74S |
| Model Number, 74SH | 74SH | 74S |
| Sensing Input, Transducer/Shunt | 7 | 7 |
| Nominal Input Type, 50 mVdc | F | M |
| Frequency, DC | 5 | B |
| External Power, 120 Vac | A | 0 |
| Output Type, Energize To Trip (74SH) | 1 | A |
| | | 4 |
| | | N |
| | | 0 |
| | | Model Number, 74S |
| | | Sensing Input, Transducer/Shunt |
| | | Nominal Input Type, 50 mVdc |
| | | Timing, Adjustable, 0 to 20 seconds |
| | | Frequency, DC |
| | | External Power, 120 Vac |
| | | Option 1, High Trip: 40 to 120% |
| | | Option 2, None |
| | | Option 3, None |

Some options for the ES have been preselected in the above guide. To insure accuracy, please verify your style configuration using the ES style chart on page 2, referencing Instruction Manual 9500100994 or contacting Technical Support.

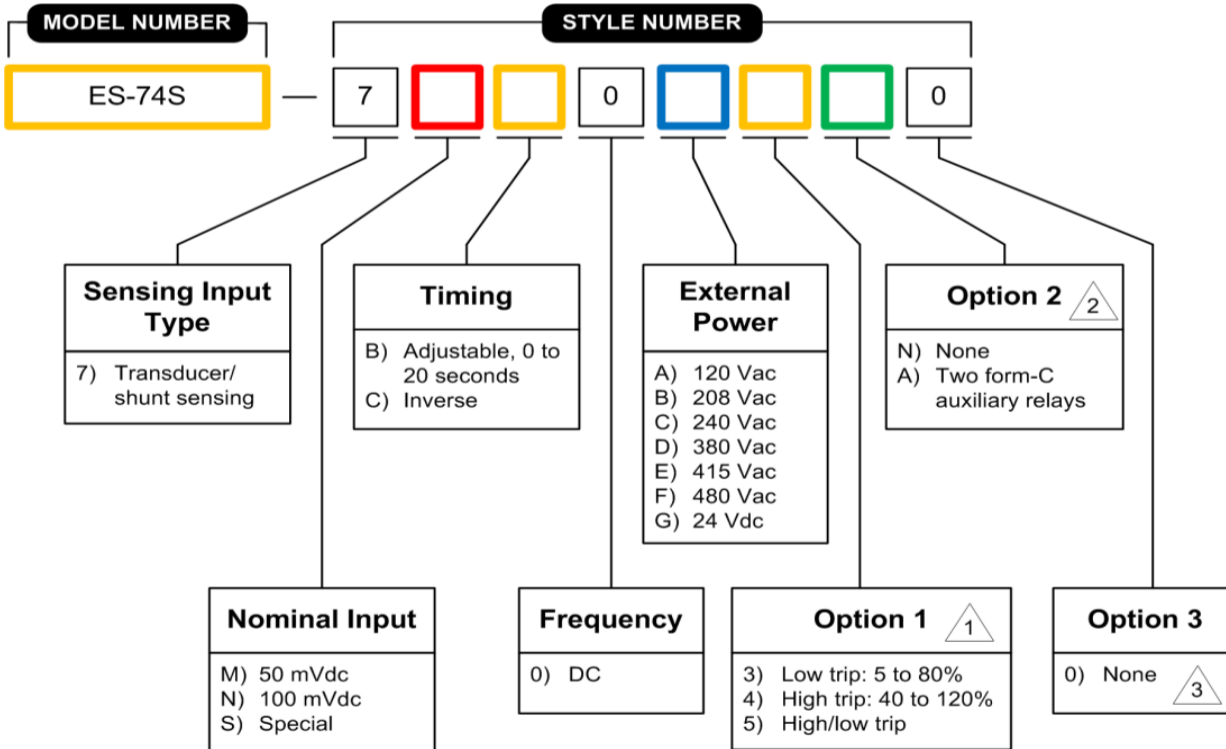
BE3-74SH, BE3-74SL, BE3-74SD Style Number Identification Chart



BE3-76SH Style Number Identification Chart

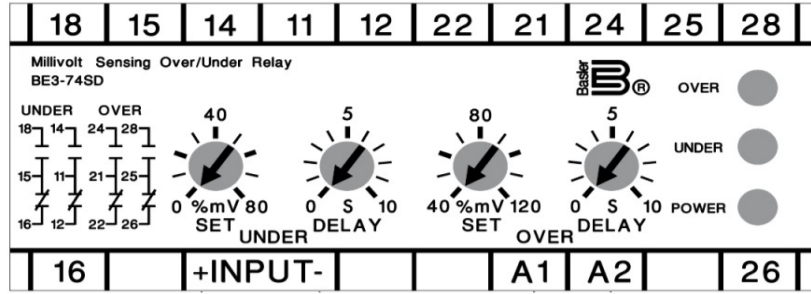


ES-74S Style Number Identification Chart



- 1 If Timing selection is C, then Option 1 selection must be 4.
- 2 If Option 1 selection is 5, then Option 2 selection must be N.
- 3 Option 3 selection is "0" when standard voltage is selected for the Nominal Input. Option 3 selection is the three-digit voltage value when a special (S) Nominal Input is selected. To order an ES relay with special (S) Nominal Input voltage, contact Basler Electric.

BE3-74SD Connection Diagram



ES-74S Connection Diagram

