



## Overview

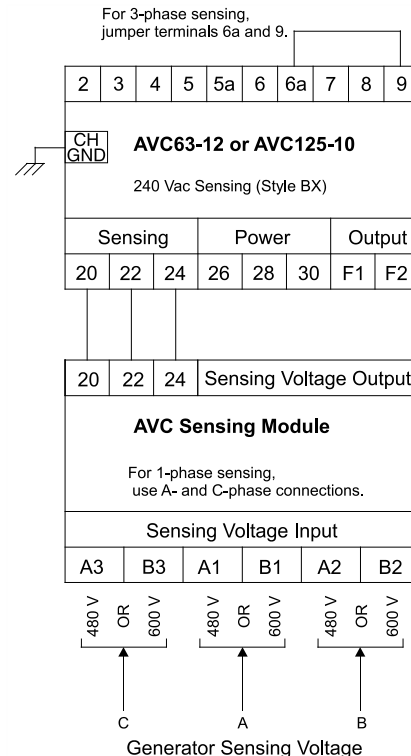
The ruggedly designed AVC Sensing Module allows 480 Vac and 600 Vac nominal sensing voltages to be connected to the AVC63-12 and AVC125-10 without the need for a costly step-down transformer.

## Features

- Includes two inputs for 3-phase sensing voltages of 480 Vac or 600 Vac,  $\pm 10\%$
- Steps voltage down to 200/240 Vac for direct input to our AVC63-12 or AVC125-10 voltage regulators.

## Benefits

- Saves cost by eliminating the need for expensive sensing transformers.
- Sensing accuracy of the AVC63-12 and AVC125-10 is preserved.
- Replaces older regulators such as the SR and SSR series when used with the AVC63-12 or AVC125-10.
- Rugged design makes it suitable for use in extreme environments.



P0075-45

Figure 1 - AVC Sensing Module Connection Diagram for a Typical Application

## Specifications

### Sensing Voltage Inputs

Configuration:	1-phase or 3-phase
Burden:	<1 VA
Nominal Frequency:	50, 60, or 400 Hz
Power Dissipation:	2.2 W
480 Vac Nominal Input	
Range:	432 to 528 Vac
600 Vac Nominal Input	
Range:	540 to 660 Vac

### Sensing Voltage Outputs

Nominal:	200/240 Vac
Range:	180 to 264 Vac

### Environmental

Operating Temp:	-40°C to 70°C (-40°F to 158°F)
Storage Temp:	-40°C to 70°C (-40°F to 158°F)
Maximum Humidity:	95%, non-condensing
Shock:	20 G in three perpendicular planes
Vibration:	4.5 G at 18 to 2000 Hz

### Agency/Certifications

CSA certified, UL recognized (UL6200), CE compliant

### Physical

Weight:	160 g (6 oz.)
Dimensions (WxHxD):	3.93 in x 2.65 in x 1.12 in (99.7 mm x 67.3 mm x 28.4 mm)

For complete specifications, download the instruction manual at [www.basler.com](http://www.basler.com).

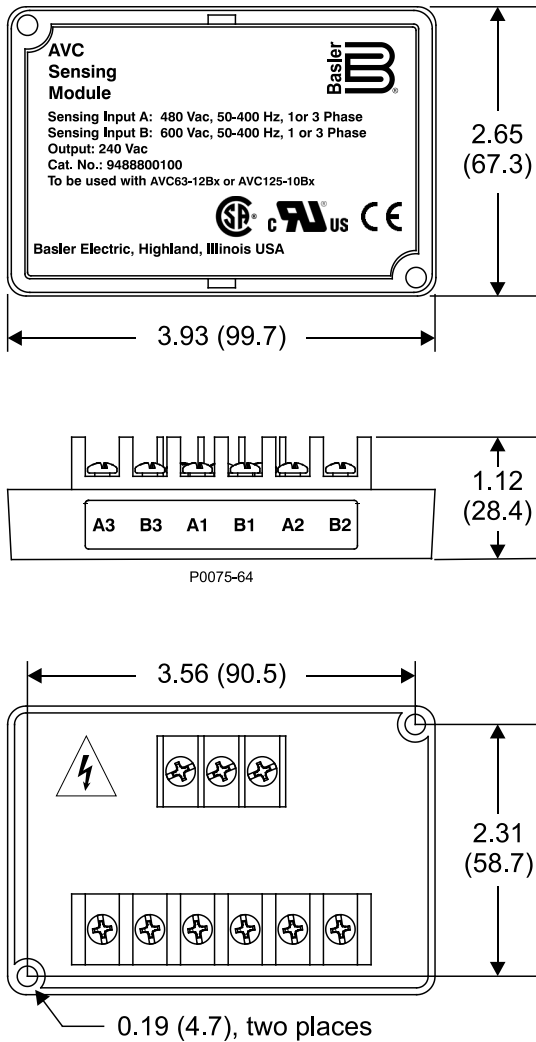


Figure 2 - AVC Sensing Module Dimensions

## Related Products

### AVC63-12, AVC125-10 Voltage Regulators

Provides the performance and functionality that revolutionized the modern analog voltage regulator market.