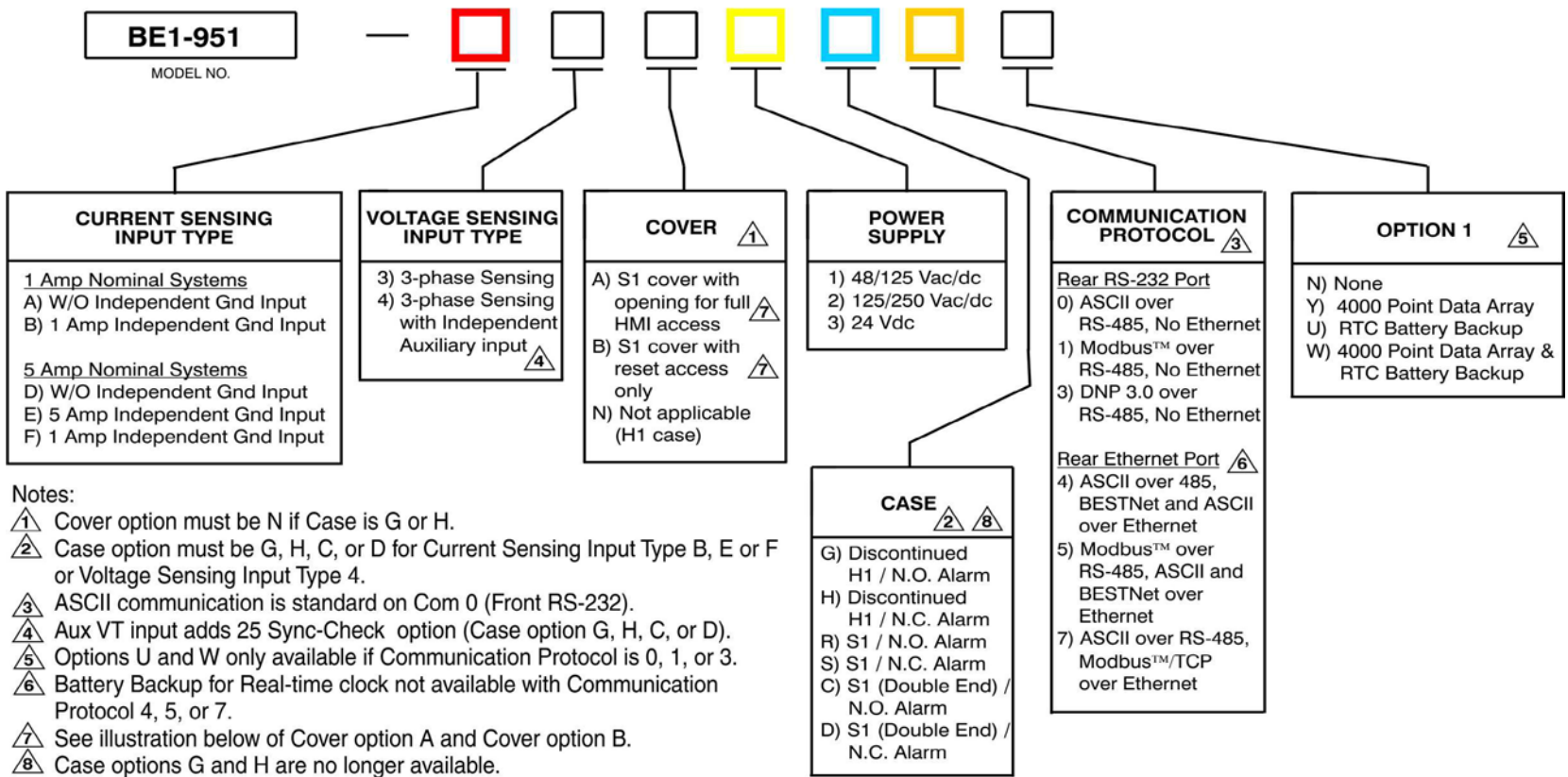


Sample Style Configuration Conversion

	BE1-951		BE1-11f	
5 amp Phase with 5 amp Ground	E	→	5	5 amp Phase
3-phase Sensing w/ Auxiliary Input	4	→	A	5 amp Ground
No Cover	N	→	2	125/250 PS
125/250 PS	2	→	M	Modbus over 485
H case with N.O. Alarm	G	→	0	No Ethernet
Modbus over 485	1	→	H	H case
None	N	→	1	Standard I/O, N.O. Alarm
			D	Directional Power
			0	Copper Ethernet
			E	Option 3, None
			0	Option 2, None
			00	Latest Firmware



- Notes:**
- ¹ Cover option must be N if Case is G or H.
 - ² Case option must be G, H, C, or D for Current Sensing Input Type B, E or F or Voltage Sensing Input Type 4.
 - ³ ASCII communication is standard on Com 0 (Front RS-232).
 - ⁴ Aux VT input adds 25 Sync-Check option (Case option G, H, C, or D).
 - ⁵ Options U and W only available if Communication Protocol is 0, 1, or 3.
 - ⁶ Battery Backup for Real-time clock not available with Communication Protocol 4, 5, or 7.
 - ⁷ See illustration below of Cover option A and Cover option B.
 - ⁸ Case options G and H are no longer available.

