

Overview

Manual voltage controllers are an integral part of a complete excitation system. These devices are utilized to control excitation in the event of an automatic voltage regulator failure. Basler MVCs can isolate the automatic voltage regulator and manually control the generator's output.

Features

- Designed specifically for use with Basler voltage regulators.
- When in OFF mode, completely disconnects associated voltage regulator.
- Rugged construction

Benefits

- Provides the ability to manually control excitation in the event of a regulator failure or sensing transformer failure. This allows the operator to maintain power to critical and emergency loads until a repair can be made.
- These controllers offer functionality to meet many manual backup applications.
- Rugged field-proven designs that can be relied upon in an emergency situation.
- Some MVCs offer remote control capability so that the operator can be located outside the generator room.

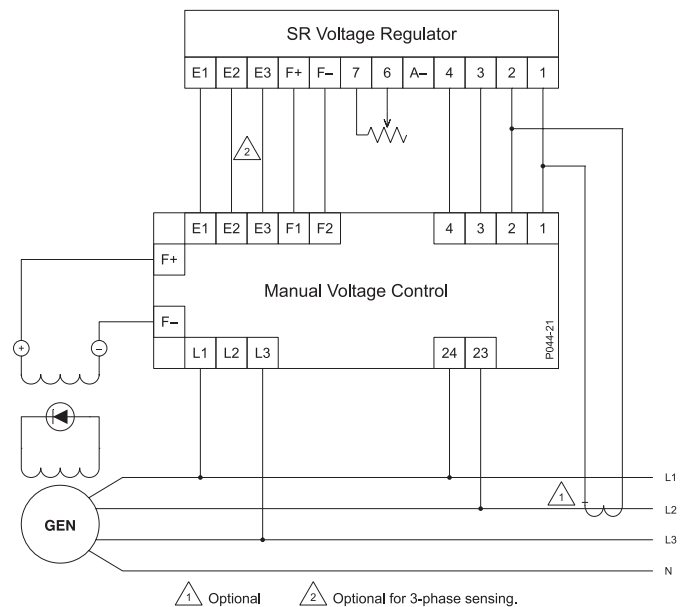


Figure 1 - MVC Connection Diagram for a Typical Application

Specifications

Input Power (1-phase)

Nominal Input Voltage:

MVC 104:	120 Vac
MVC 108:	240 Vac
MVC 232:	60 Vac
Frequency:	50 to 400 Hz

Burden:

MVC 104:	840 VA
MVC 108:	1,680 VA
MVC 232:	1,200 VA

Output Power (Maximum Continuous)

MVC 104:	110 Vdc, 7 Adc
MVC 108:	220 Vdc, 7 Adc
MVC 232:	55 Vdc, 20 Adc

Agency/Certifications

MVC 104 and MVC 108 certified per CSA Standard CAN/CSA-C22.2, No. 14

Environmental

Operating Temp: -40°C to 50°C (-40°F to 122°F)

Physical

Weight:

MVC 104:	29 lb (13.2 kg)
MVC 108 and 232:	36 lb (16.3 kg)

Dimensions (WxHxD):

MVC 104 and 108:	7.13 x 13.38 x 9.13 inches (181 x 340 x 232 mm)
MVC 232:	7.13 x 13.38 x 11.13 inches (181 x 340 x 283 mm)

For complete specifications, download the instruction manual at www.basler.com.

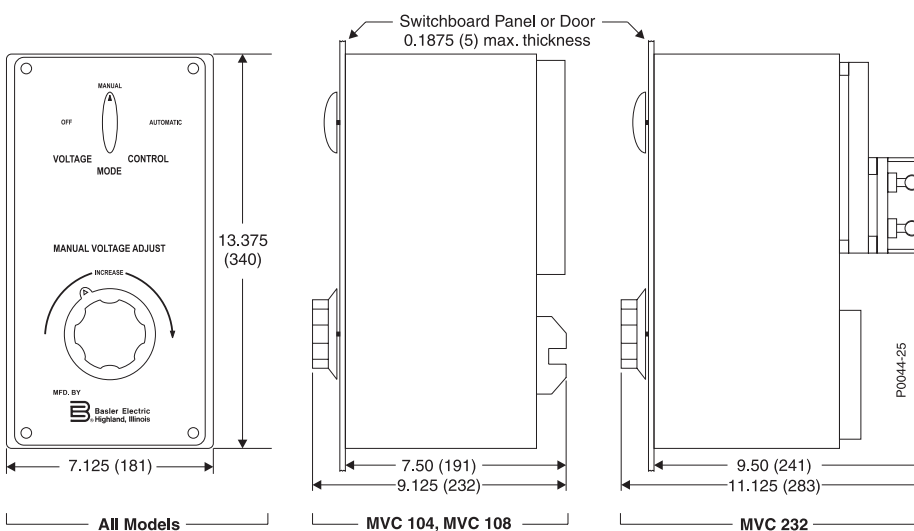


Figure 2 - MVC Dimensions in Inches (Millimeters)

Related Products

Enjoy proven, dependable, high performance with Basler Electric's AVC line. These extremely rugged and reliable regulators provide the performance and functionality that revolutionized the modern analog voltage regulator market, and they are still unrivaled today.

- [AVC63-12 Voltage Regulator](#)
- [AVC63-4, AVC63-4D Voltage Regulator](#)
- [AVC63-4A Voltage Regulator](#)
- [AVC63-7, AVC63-7F Voltage Regulator](#)

BE1-FLEX Protection, Automation and Control System

Designed to be configurable for nearly any Power System Application.

BE350 Voltage Regulator

With millions of hours of dependable operation, the proven reliability of the BE350 provides unrivaled performance and functionality.

DECS-150 Digital Excitation Control System

Provides precise voltage regulation, exceptional system response, and valuable protection of the generator and excitation system.

DECS-250N Digital Excitation Control System with Negative Forcing

Featuring negative field forcing that provides exceptional system response, precise voltage regulation, and integrated generator protection.

DECS-250 Digital Excitation Control System

Provides precise voltage, var, and Power Factor regulation, exceptional system response, and generator protection.

DGC-2020 Digital Genset Controller

Provides genset and transfer switch control, metering, protection, and programmable logic in a simple, easy to use, reliable, rugged, and cost effective package.

DGC-2020ES Digital Genset Controller

Total system solution for emergency and stand-alone generator set applications.

DGC-2020HD Digital Genset Controller

An advanced but rugged, genset control system designed for paralleling and complex load sharing schemes.