

MVC-300 Electronic Manual Voltage Control



Overview

Manual voltage controllers are an integral part of a complete excitation system. These devices are utilized to control excitation in the event of an automatic voltage regulator failure. Basler MVCs can isolate the automatic voltage regulator and manually control the generator's output.

Features

- Designed to operate with all Basler voltage regulators rated at or below 7 amperes continuous
- Completely solid state
- 120 to 240 Vac operation
- Multiple field output ratings
- Automatic voltage build-up circuit
- Small and light for easy panel or door mounting
- Available from stock

Benefits

- Provides the ability to manually control excitation in the event of a regulator failure or sensing transformer failure. This allows the operator to maintain power to critical and emergency loads until a repair can be made.
- These controllers offer functionality to meet many manual backup applications.
- Rugged field-proven designs that can be relied upon in an emergency situation.
- Some MVCs offer remote control capability so that the operator can be located outside the generator room.

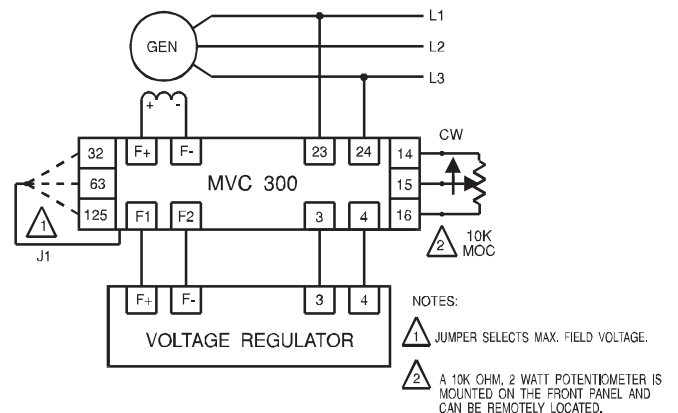


Figure 1 - MVC-300 Connection Diagram for a Typical Application

Specifications

Input Power (1-phase)

Nominal: 120 Vac, 240 Vac
 Frequency: 50 to 320 Hz
 Burden: 30 W maximum

Output Power

120 Vac Input: 1 to 32 Vdc, 1 to 63 Vdc
 240 Vac Input: 1 to 63 Vdc, 1 to 125 Vdc

Agency/Certifications

China RoHS compliant

Environmental

Operating Temp: -40°C to 70°C (-40°F to 158°F)
 Storage Temp: -65°C to 100°C (-85°F to 212°F)
 Shock: 15 G in each of three perpendicular planes

Vibration

5 - 27 Hz: 1.3 G
 27 - 52 Hz: 0.036" double amplitude
 52 - 500 Hz: 5 G

Physical

Weight: 3 lb (1.36 kg)

Dimensions

(WxHxD):
 6.16 x 5.50 x 4.39 inches
 (156 x 138 x 112 mm)

For complete specifications, download the instruction manual at www.basler.com.

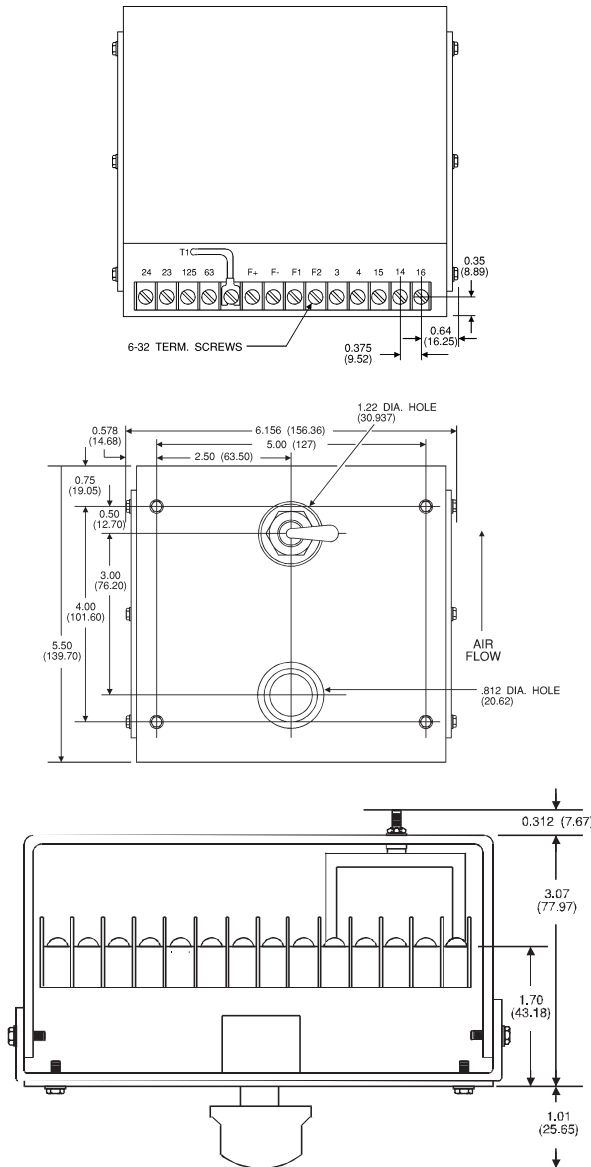


Figure 2 - MVC-300 Dimensions in Inches (Millimeters)

Related Products

Enjoy proven, dependable, high performance with Basler Electric's AVC line. These extremely rugged and reliable regulators provide the performance and functionality that revolutionized the modern analog voltage regulator market, and they are still unrivaled today.

- [AVC63-12 Voltage Regulator](#)
- [AVC63-4, AVC63-4D Voltage Regulator](#)
- [AVC63-4A Voltage Regulator](#)
- [AVC63-7, AVC63-7F Voltage Regulator](#)

BE1-FLEX Protection, Automation and Control System

Designed to be configurable for nearly any Power System Application.

BE350 Voltage Regulator

With millions of hours of dependable operation, the proven reliability of the BE350 provides unrivaled performance and functionality.

DECS-150 Digital Excitation Control System

Provides precise voltage regulation and exceptional system response, while providing valuable protection of the generator and excitation system.

DECS-250N Digital Excitation Control System with Negative Forcing

Featuring negative field forcing that provides exceptional system response, precise voltage regulation, and integrated generator protection.

DECS-250 Digital Excitation Control System

Provides precise voltage, var and Power Factor regulation, and exceptional system response, plus generator protection.

DGC-2020 Digital Genset Controller

Provides genset and transfer switch control, metering, protection and programmable logic in a simple, easy to use, reliable, rugged, and cost effective package.

DGC-2020ES Digital Genset Controller

Total system solution for emergency and stand alone generator set applications.

DGC-2020HD Digital Genset Controller

An advanced but rugged, genset control system designed for paralleling and complex load sharing schemes.