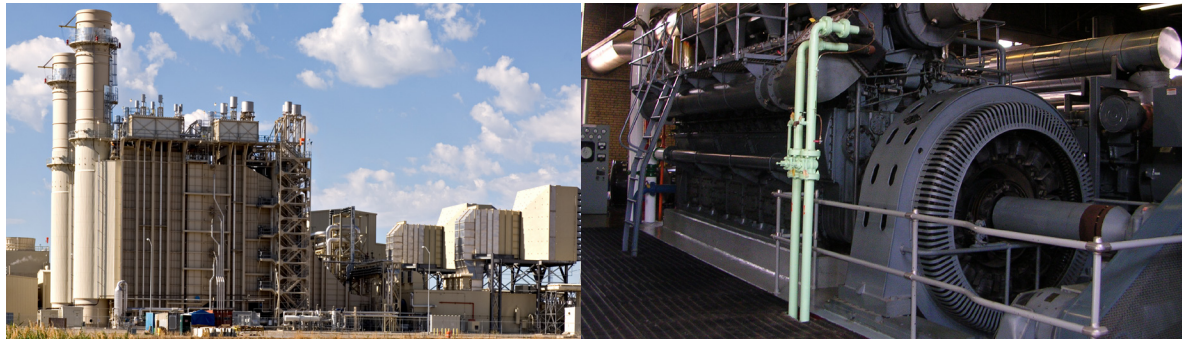
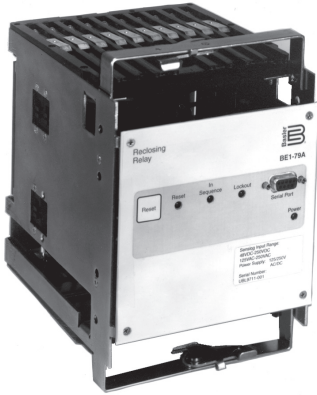


BE1-79A Reclosing Relay



Overview

An economical, microprocessor-based relay designed to replace out of date, aging electromechanical relays, with models to replace existing GE and ABB relays with no wiring changes. Basler Electric also offers the BE1-79A in an S1 case for new installations.

Features

- Directly replaces ACR relays and RC relays (non z-coil models) in existing case with no wiring changes required.
- A single BE1-79A configuration replaces multiple ACR types.
- Front panel indicators for relay power and recloser status.
- Easy setup with front panel communications interface.
- Economical, microprocessor-based design.
- Available in S1 case for new installations and S2 and FT-32 cradle for retrofits.

Benefits

- Minimize downtime with direct replacement for ACR relays and RC relays (non z-coil models).
- Reduce inventory with a single BE1-79A relay that replaces multiple ACR types.
- Uncomplicated testing made possible with front panel indicators for relay power and recloser status.
- Accurate, repeatable, and reliable operation.
- Reduced battery load with low burden power supply.
- Easily perform in-case system and device tests using test plugs.

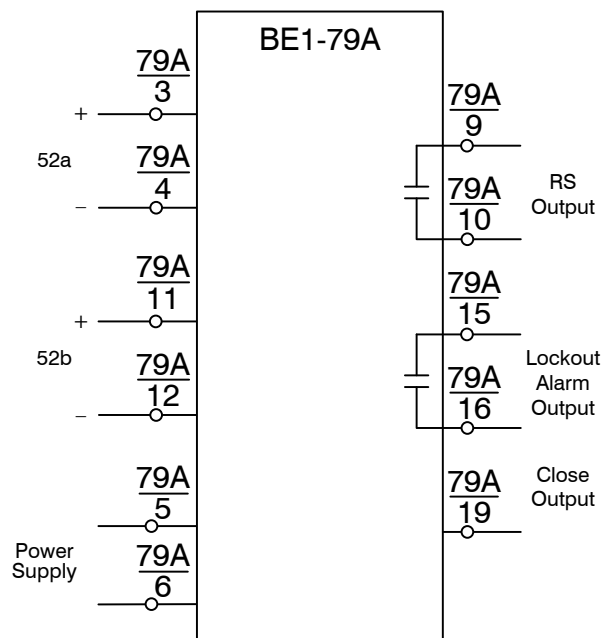


Figure 1 - BE1-79A Connection Diagram for a Typical ACR-11B Application

Specifications

Power Supply

Operating Range: 120 to 240 Vac
125 to 250 Vdc

Contact Sensing

Operating Range:
48 Vdc nominal: 38.4 to 275 Vdc
120 Vdc/120 nominal: 100 to 275 Vdc, or
96 to 264 Vac
250 Vdc/240 Vac nominal: 200 to 275 Vdc, or
192 to 264 Vac

Frequency Range: 45 to 65 Hz

Recognition Time:
Typical: 15 ms
Maximum: 25 ms

Dropout Time:
Typical: 15 ms
Maximum: 25 ms

Output Contacts

Resistive:

120 Vac: Make, break, and carry 7 Aac continuously.

250 Vdc: Make and carry 30 Adc for 0.2 s, carry 7 Adc continuously, break 0.3 Adc.

Inductive:
120 Vac, 125 Vdc, 250 Vdc: Break 0.3 A (L/R=0.04)

Reclose Timers 1, 2, 3 and 4

Range: 0 to 300 s
Accuracy: ±1%

Reset Timers 1, 2, 3, 4 and Final

Range: 0 to 300 s
Accuracy: ±1%

Lockout Timer

Range: 0 to 300 s
Accuracy: ±1%

RS Set and Reset Timers

Range: 0 to 300 s
Accuracy: ±1%

Communication Port

Parameters: 9600 baud, 8N1, half duplex
Protocol: ASCII

Environmental

Operating Temp: -40°C to 70°C (-40°F to 158°F)
Storage Temp: -40°C to 85°C (-40°F to 185°F)
ESD: In accordance w/ IEC 801-2 ESD
Isolation: In accordance w/ IEEE C37.90

Surge Withstand: Qualified to IEEE C37.90.1 (Oscillatory and Fast Transient)

RFI: Tested using 5 W transceiver, in the ranges of 144 and 440 MHz, antenna six inches from relay.

Shock: 15 G in three perpendicular planes

Vibration: 2 G in each of three perpendicular planes, 10 to 500 Hz for six, 15 minute sweeps.

Humidity: Qualified to IEC 63-2-38

Patent

Number 6,239,960

Physical

Weight:
BE1-79A-100, -101: 5 lb (2.3 kg)
BE1-79A-200, -201: 13 lb (5.9 kg)

S1 Case Dimensions (WxHxD):
6.65 x 9.32 x 6.94 inches
(168.9 x 236.7 x 176.3 mm)

For complete specifications, download the instruction manual at www.basler.com.

ORDERING

How to Order: Designate one of the following part numbers.

| Catalog Number | Basler Relay Part Number | Retrofit for | Options | Cradle Style |
|----------------|--------------------------|------------------------------|--|--------------|
| BE1-79A-100 | 9310200100 | GE 12ACR-11A GE 12ACR-11B | None. Plugs into existing ACR case. Connection plugs included. No rewiring required. | S2 |
| BE1-79A-101 | 9310200101 | GE 12ACR-11A GE 12ACR-11B | Power holdup circuit. Plugs into existing ACR case. Connection plugs included. No rewiring required. | S2 |
| BE1-79A-109 | 9310200109 | GE 12NLR-21U 125 Vdc | None. Plugs into existing NLR case. Connection plugs included. Requires some rewiring on back of case. | S2 |
| BE1-79A-111 | 9310200111 | GE 12NLR-21U 48 Vdc | None. Plugs into existing NLR case. Connection plugs included. Requires some rewiring on back of case. | S2 |
| BE1-79A-114 | 9310200114 | ABB RC | None. Plugs into existing case. No rewiring required. | FT-32 |
| BE1-79A-200 | 9310200200 | GE 12ACR-11A GE 12ACR-11B | Mounting case and connection plugs included. | S1 |
| BE1-79A-201 | 9310200201 | GE 12ACR-11A GE 12ACR-11B | Power holdup circuit. Mounting case and connection plugs included. | S1 |

Related Products

BE1-FLEX Protection, Automation and Control System

Designed to be configurable for nearly any Power System Application.

Accessories

Cases, Covers, Connectors, Mounting, Misc.

Designed for adaptive customization with your protective device.