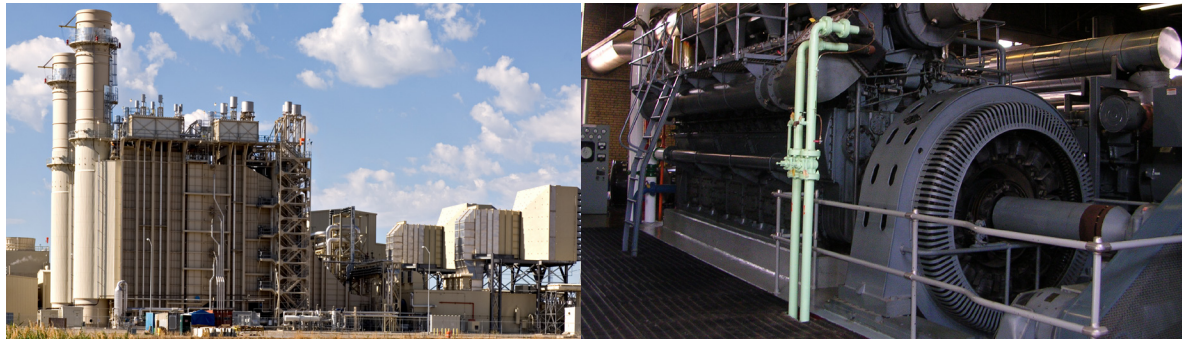


BE1-32R, BE1-32O/U Directional Power Relay



Overview

BE1-32R and BE1-32O/U relays provide versatility and control to protect machines against reverse power flow, underpower, and overpower conditions.

Features

- Measures real power: $E \cdot I \cdot \cos(\theta)$.
- Wide variety of input configurations are available including 1-phase, 3-phase, 3-wire and 4-wire systems.
- Sensing ranges available from 0.5 to 6,000 watts secondary.
- Instantaneous, definite, and inverse timing characteristics available.
- Low input sensing and supply burdens.

Benefits

- Accurate protection provided by real power measurement.
- Timings can be tailored to the application with instantaneous, definite, and inverse-timing characteristics.
- Flexible pickup is continually adjustable over a wide range.
- Minimized Current Transformer (CT) and potential transformer (PT) costs as a result of low sensing burden.
- Reduced battery load with low burden power supply.
- Accurate, repeatable, and reliable operation.
- Simple HMI provides clear and intuitive settings for easy configuration.
- LED targets provide clear annunciation of status.
- Easily perform in-case system and device tests using test plugs.

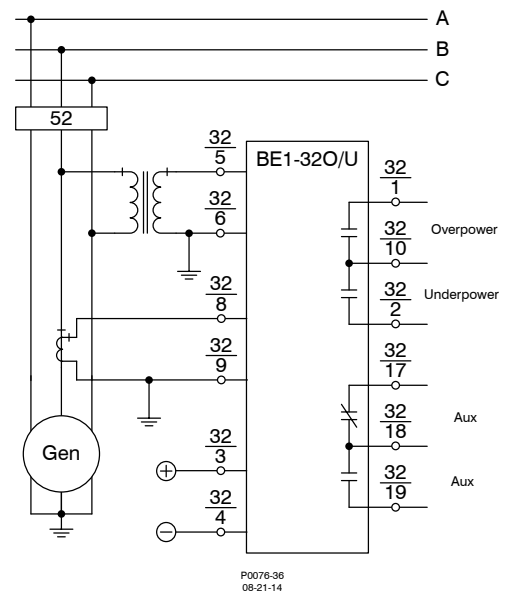


Figure 1 - BE1-32O/U (Type B Sensing) Typical Connection Diagram

Specifications

Power Supply (Nominal)

XXXXXXOXXXXX: 48 Vdc (3.6 W)
 XXXXXPXXXXX: 125 Vdc (3.7 W), 120 Vac (17.3 VA)
 XXXXXRXXXXX: 24 Vdc (3.7 W)
 XXXXXTXXXXX: 250 Vdc (3.8 W), 240 Vac (24.6 VA)

Current Sensing

Input Ranges 1, 4, and 7:

Continuous: 7 A
 Forcing: 10 A (1 min.), 140 A (1 s)

Input Ranges 2, 3, 5, 6, 8, and 9:

Continuous: 10 A
 Forcing: 15 A (1 min.), 200 A (1 s)

Voltage Sensing

Voltage signals provided by secondaries of standard PTs (100/200, 50 Hz or 120/240, 60 Hz)

Continuous: 150% of nominal

Burden: <1 VA

Agency/Certifications

UL recognized

Environmental

Operating Temp: -40°C to 70°C (-40°F to 158°F)
 Storage Temp: -65°C to 100°C (-85°F to 212°F)
 Surge Withstand: Qualified to IEEE C37.90.1,
 Shock: 15 G in three perpendicular planes
 Vibration: 2 G in three perpendicular planes,
 10 to 500 Hz for six, 15-minute sweeps.

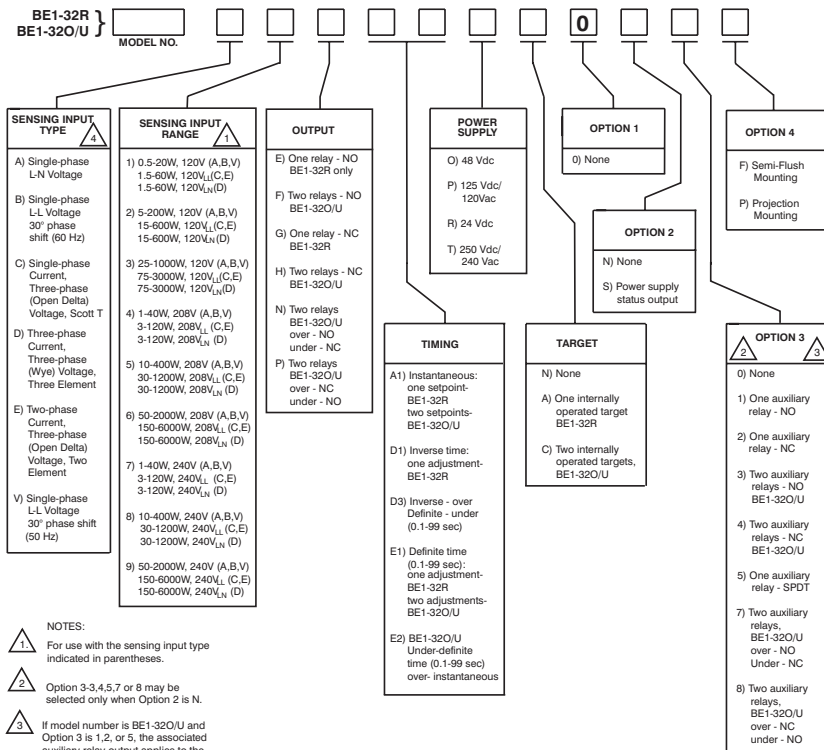
Physical

S1 Configuration Weight: 13.5 lb (6.1 kg)
 M1 Configuration Weight: 18.5 lb (8.4 kg)
 Dimensions (WxHxD):
 S1 Case, Double Ended, Semi-Flush Mount:
 5.56" x 8.68" x 6.94"
 (141.2 mm x 220.5 mm x 176.3 mm)

S1 Case, Single Ended, Semi-Flush Mount:
 5.56" x 8.38" x 6.94"
 (141.2 mm x 212.9 mm x 176.3 mm)
 S1 Case, Double Ended, Projection Mount:
 5.56" x 8.68" x 8.14"
 (141.2 mm x 220.5 mm x 206.8 mm)
 S1 Case, Single Ended, Projection Mount:
 5.56" x 8.38" x 8.14"
 (141.2 mm x 212.9 mm x 206.8 mm)
 M1 Case, Double Ended, Semi-Flush Mount:
 5.56" x 14.69" x 6.94"
 (141.2 mm x 373.1 mm x 176.3 mm)
 M1 Case, Double Ended, Projection Mount:
 5.56" x 14.69" x 8.14"
 (141.2 mm x 373.1 mm x 206.8 mm)

For complete specifications, download the instruction manual at www.basler.com.

Style Chart



Related Products

BE1-FLEX Protection, Automation and Control System

Designed to be configurable for nearly any Power System Application.

Accessories

Cases, Covers, Connectors, Mounting, Batteries, and Miscellaneous

Designed for adaptive customization with your protective device.

Test Plugs

To allow testing of the relay without removing system wiring, order two test plugs. Basler part number 10095.